

METER ACCESSORIES

SECTION E METER ACCESSORIES

Neptune Register



DESCRIPTION	REF. NO.	PART NUMBER	LIST PRICES
Direct Reading-831-11	1	880010000	960.00
Print-O-Meter-833-0		880030000	1740.00
Direct Reading-631-1"		100498016	900.00
Direct Reading-631-3/4"	2	100498009	900.00
Direct Reading-631 (to replace 106)		100693001	1124.00

Veeder-Root



By using the adapter, and gear plate assembly, you can convert your Neptune Register to a Veeder-Root model on your Neptune meter.

DESCRIPTION	REF. NO.	PART NUMBER	LIST PRICES
Veeder-Root to Neptune Adapter for 3/4" meter	1	RAN075	242.60
Veeder-Root to Neptune Adapter for 1" meter	1	RAN100	212.60
VR to Neptune Adapter for 1-1/4" to 2" meter	1	RAN200	113.10
Veeder-Root Non-Print Register	—	R1	610.00
Veeder-Root Printing Register	—	PR	1520.00
Veeder-Root Non-Print Register w/pulser	2	RP1	842.00
Gear Plate Assembly	3	GP1	107.30
Add for Temperature Volume Compensator. Requires bellows kit.	N/A	D5120 25015	1572.00 920.00

Neptune A.T.C.'s



The ATC (Automatic Temperature Compensator) is for liquid propane to provide readings in gallons at 60 degrees F for more equitable billing and inventory control.

DESCRIPTION	PART NUMBER	LIST PRICES
ATC for 1-1/4" Meter	86600201	2600.00
ATC for 1-1/2" Meter	86600204	2600.00
ATC for 2" Meter	86702301	3076.00

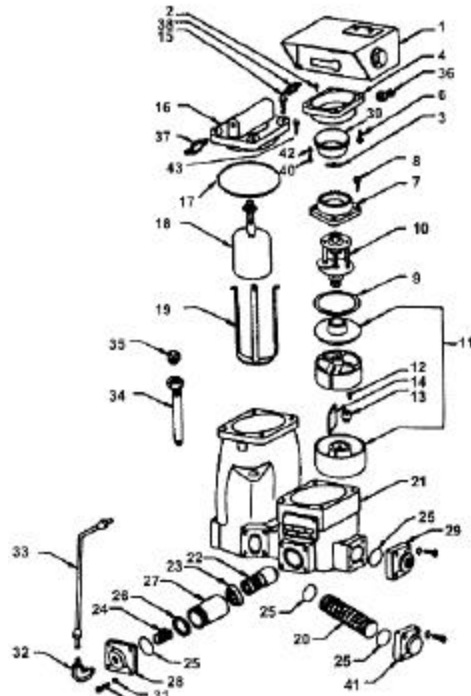
Neptune Measuring Chambers



Measuring Chambers for Neptune Meters.

DESCRIPTION	PART NUMBER	LIST PRICES
3/4" Measuring Chamber	C42075101	590.00
1" Measuring Chamber	C01748001	659.76
1-1/4" Measuring Chamber	C43260101	893.20
1-1/2" Measuring Chamber	C83271101	950.00
2" Measuring Chamber	C45806101	1590.00

1" Type 4D-MD with 600 Series Register Parts List



REF. NO.	PART NAME	PART NUMBER	REF. NO.	PART NAME	PART NUMBER
1	Register Complete, 600 Series Gallons w/ATC	100498-018	19	Bracket	101749-001
	Register Complete, 600 Series Gallons Non/ATC	100498-016	20	Strainer, 14x88 mesh	101738-001
	Register Complete, 600 Series Liters w/ATC	100498-015	21	Main Case Assembly	400027-701
	Register Complete, 600 Series Liters Non/ATC	100498-019	—	Pin, Measuring Chamber Locating	100370-022
2	Screw, 10-32x3/8 filhd	733-001	—	Kit, Valve	100028-001
3	Star Connw/setscrew	82976-001	22	Piston, Differential Valve	100160-002
4	Adapter, 600 Series Register	100729-001	23	UC Cup, Valve	100025-008
6	Bolt, 1/4-28x1/2 hexhd, drilled	100062-023	24	Spring	100024-001
	Bolt, 1/4-28x1/2 hexhd, undrilled	100061-023	25	O-Ring, Cover	100139-007
7	Main Case Cover Assembly	400024-701	26	O-Ring, Sleeve Sealing	100139-006
8	Cap Screw, 7/16-14x1-3/16 drilled	40237-005	27	Sleeve, Valve	100027-003
	Cap Screw, 7/16-14x1-3/16 undrilled	40237-004	28	Cover, Differential Valve	400020-702
9	Gasket Main Case	4861-016	29	Flange, Inlet or Outlet	87180-700
10	Gear Train Complete 116.87 reduction (600; 10 liter)	80905-013	30	Screw, 5/16-18x7/8 hexhd steel drilled	100064-026
	Gear Train Complete 43.5 reduction (600; US gal)-Large Spindle	80905-017		Screw, 5/16-18x7/8 hexhd steel undrilled	100063-026
11	Measuring Chamber Comp. w/Piston	101748-001	31	Lock washer, 5/16 steel	100121-010
12	Pin, Seal	42792-000	—	Tubing Kit, Vapor Release	100017-011
13	Roller, Control	42086-000	32	Elbow, Male 1/4-90 degree (flared tubefitting)	87195-001
14	Diaphragm	42791-000	33	Tube Assembly, Vapor Release	87196-001
15	Cap Screw, 3/8-016x1 hexhd drilled	100071-025	34	Thermometer Well	1001906
16	Cap Screw, 3/8-016x1 hexhd undrilled	100071-024	35	Cover, Thermometer Well	83732-000
	Cover, Vapor Release	400021-701	36	Change Gears (give dia. & # of teeth)	N/A
17	Gasket, O-Ring	100139-012	37	Connector, Male 1/4 (flared tubefitting)	100135-002
18	Vapor Release Float Assembly	87188-001	38	Connector, Male 3/8 Flared	84826-000
			39	Register CUP	138-031
			40	Screw, 1/4-20 Hex Head	100059-024
			41	Strainer Cover Assembly	400025-701
			42	Sleeve, Screw	100737-001
			43	Screw, 10-32x3/8 filhd.	733-001