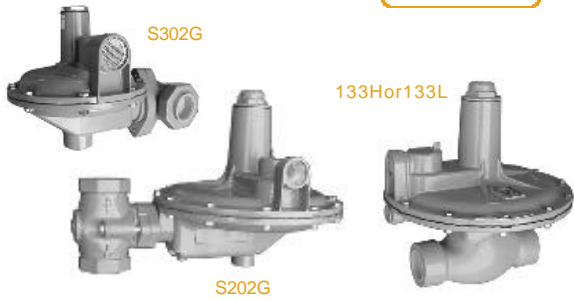


# FISHER REGULATORS and ACCESSORIES

**SECTION A**

**FISHER REGULATORS and ACCESSORIES**

## Commercial/Industrial Regulators



Type S202G & S302G - Large capacity low pressure regulators for installation at schools, bakeries, and many other commercial/industrial applications. Both contain limited capacity internal relief valve; for high capacity relief, a Type 289 or 289P relief valve is required in the downstream system.

Type 133 - Self-operated Second-Stage regulator for either low pressure or pound service. Maximum inlet pressure is 60 psig (4.14 bar), and a downstream control line is required.

Capacity based on inlet pressure 20 psig greater than outlet with 20% droop.  
 \*Other spring ranges available. Note: Body style available in 1-1/2"

DESCRIPTION	CAPACITY BTU/HR	INLET & OUTLET CONNECTION	OUTLET RANGE	OUTLET SETTING	TYPE NUMBER	LIST PRICES
Second Stage	5,670,000	1-1/4" FNPT	6"-14" WC	11" WC	S302GFMC	443.80
	7,497,000	1-1/2" FNPT	6"-14" WC	11" WC	S302GKMC	443.80
	7,497,000	2" FNPT	6"-14" WC	11" WC	S302GSMC	486.08
	8,000,000	1-1/2" FNPT	9"-18" WC	11" WC	S202GBNC	810.14
	12,500,000	2" FNPT	9"-18" WC	11" WC	S202GCNC	929.90
	70,875,000	2" FNPT	8.5"-18" WC	14" WC	133L4	1515.74
	66,150,000	2" FNPT	1.5-3PSIG	3PSIG	133H1	1738.92

## High Pressure Regulators

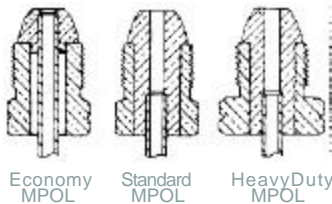


67 Series regulators are suitable for liquid or vapor service.  
 NOTE: If gas can be trapped or ignited between the 64SR and the burner, vent lines should be installed from the 64SR's vent to a safe location.

Capacity based on inlet pressure 20 psig greater than outlet with 20% droop.  
 Liquid capacity 160 gph propane for 64 Series; 3-5 gph for 67 Series.

DESCRIPTION	CAPACITY BTU/HR	INLET & OUTLET CONNECTION	OUTLET RANGE	OUTLET SETTING	TYPE NUMBER	LIST PRICES
Basic Regulator	2,625,000	1/2" FNPT	3-15PSIG	10PSIG	6433	133.52
	3,600,000		5-35PSIG	20PSIG	6435	133.52
	4,150,000		30-60PSIG	40PSIG	6436	133.52
	5,250,000		35-100PSIG	50PSIG	64222	133.52
with Internal Relief Valve	2,625,000	1/2" FNPT	3-15PSIG	10PSIG	64SR21	150.26
	3,000,000		5-20PSIG	15PSIG	64SR22	150.26
	3,600,000		5-35PSIG	20PSIG	64SR23	150.26
Basic Regulator (Wrench Adjustment)	700,000	1/4" FNPT	5-35PSIG	20PSIG	67CW684	42.56
	700,000		30-60PSIG	40PSIG	67CW685	44.74
	1,150,000		35-100PSIG	50PSIG	67CW701	45.98
Basic Regulator (Handwheel Adjustment)	700,000	1/4" FNPT	5-35PSIG	20PSIG	67CH743	37.64
	700,000		30-60PSIG	40PSIG	67CH742	37.64
	1,150,000		35-100PSIG	50PSIG	67CH741	37.64
Dial Cap Adjustment	600,000	1/4" FNPT	5-20PSIG	20PSIG	67CD101	58.44
	700,000		20-60PSIG	40PSIG	67CD102	58.44
	1,150,000		60-100PSIG	50PSIG	67CD103	58.44
Nonadjustable	600,000	1/4" FNPT	—	10PSIG	67CN106	60.34
	600,000		—	15PSIG	67CN104	60.34
	700,000		—	20PSIG	67CN105	60.34

## Pigtails



Pigtails provide flexible connection between the container valve and the regulator.

Economy POL - Short nipple for use where cylinders are changed infrequently.

Standard POL - Full length nipples suitable for most LP-Gas installations.

Heavy Duty POL - Full length nipple with large (1-1/8") hex flats for longer service life where cylinders are changed frequently.

PIGTAIL CONNECTIONS		TUBING SIZE	TUBING LENGTH	TYPE NUMBER	LIST PRICES
Economy Male POL	1/4" Inverted Flare	1/4"	12"	K845A	4.88
			18"	K840A	4.49
			30"	K841A	5.60
		3/8"	36"	K846A	6.02
			6"	K865A	5.66
			12"	K862A	5.76
	1/4" MNPT	1/4"	18"	K860A	7.28
			30"	K861A	8.66
			36"	K863A	10.56
		3/8"	12"	K832A	8.22
			18"	K805A	5.12
			12"	K460A	7.94
Standard Male POL	1/4" Inverted Flare	1/4"	30"	K462A	9.96
			36"	K463A	10.56
			12"	K832A	8.22
		3/8"	20"	K160A	5.88
			30"	K161A	6.44
			36"	K162A	6.78
	48"		K166A	7.88	
	20"		K200A	8.22	
	30"		K201A	9.26	
	1/4" MNPT	1/4"	20"	K240A	4.42
			30"	K241A	4.70
			36"	K249A	5.74
3/8"		20"	K280A	5.40	
		30"	K281A	6.72	
		36"	K282A	7.30	
1/2" MNPT	3/8"	12"	K286A	7.94	
		12"	K520A	8.22	
		20"	K100A	6.22	
	1/4" Inverted Flare	1/4"	36"	K103A	8.40
			48"	K104A	9.50
			20"	K220A	4.96
Heavy Duty Male POL	1/4" Inverted Flare	1/4"	36"	K230A	6.38